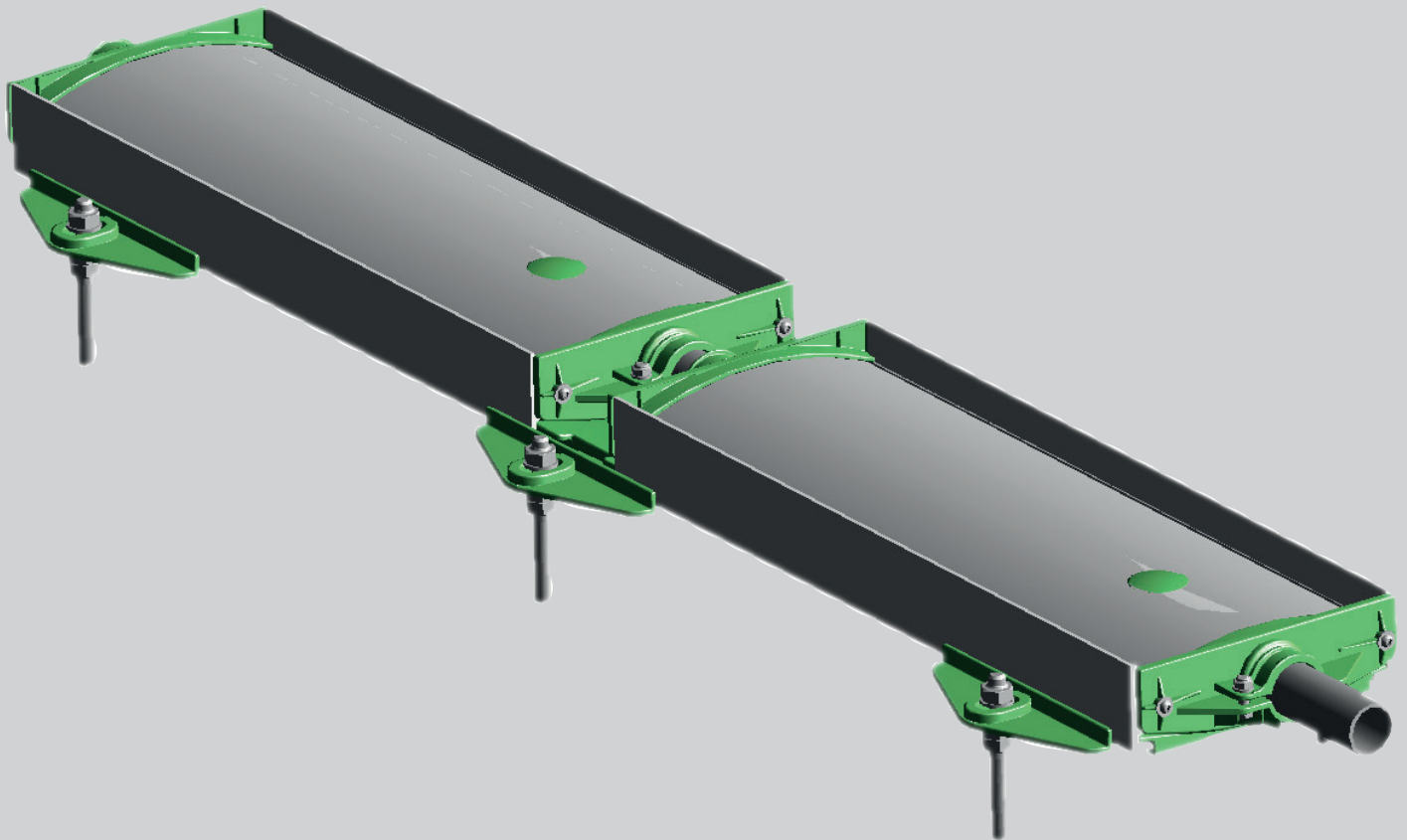
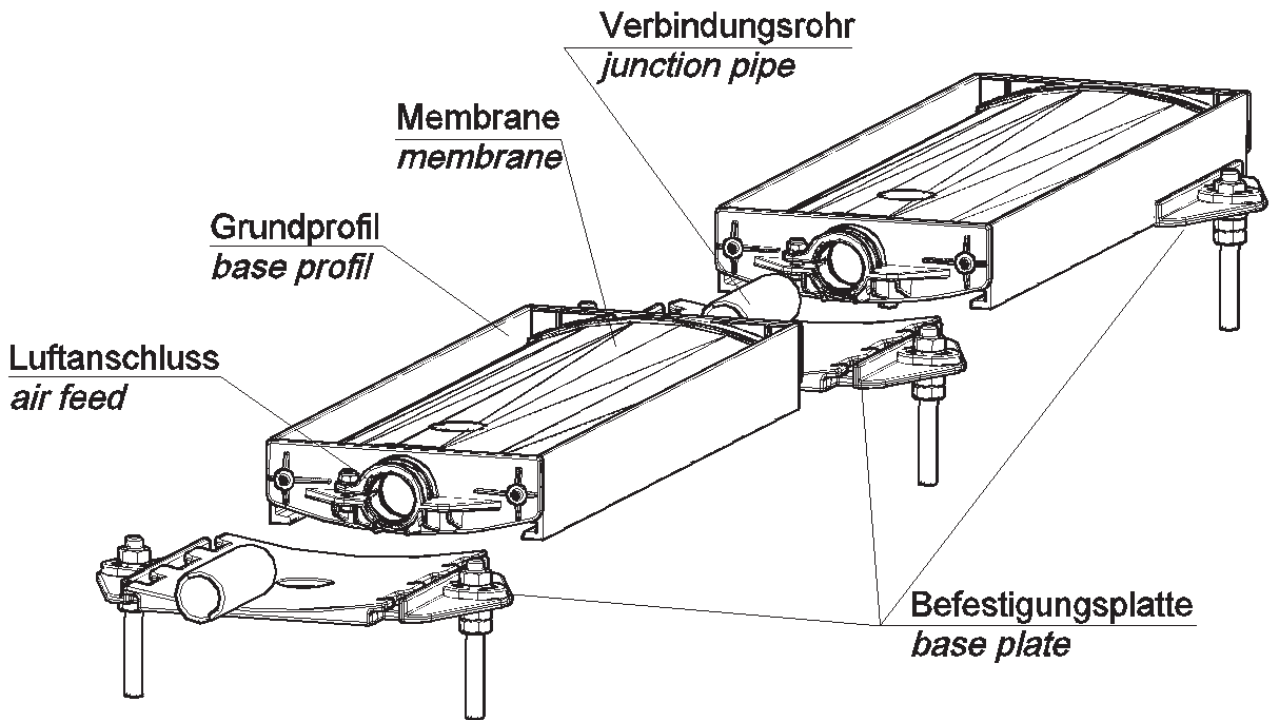


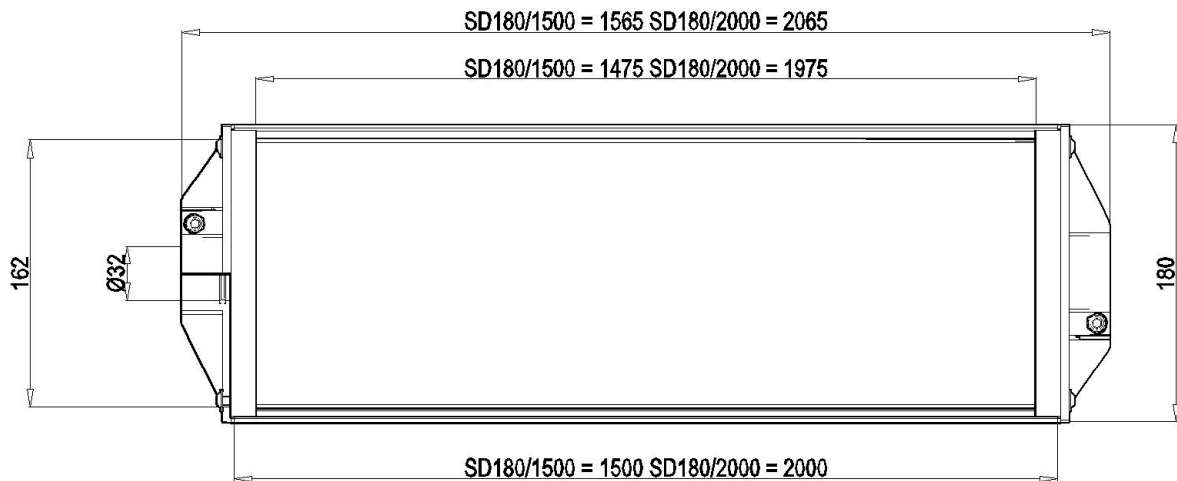
JetFlex® Strip Diffuser SD180 Polyurethane (PU)



Installation Drawing



Dimensions



	air feed [mm]	height [mm]	weight [kg]	active area [m ²]	max. air rate [m ³ /h]
SD180/1500	32	53	4,0	0,24	29
SD180/2000	32	53	5,5	0,32	38

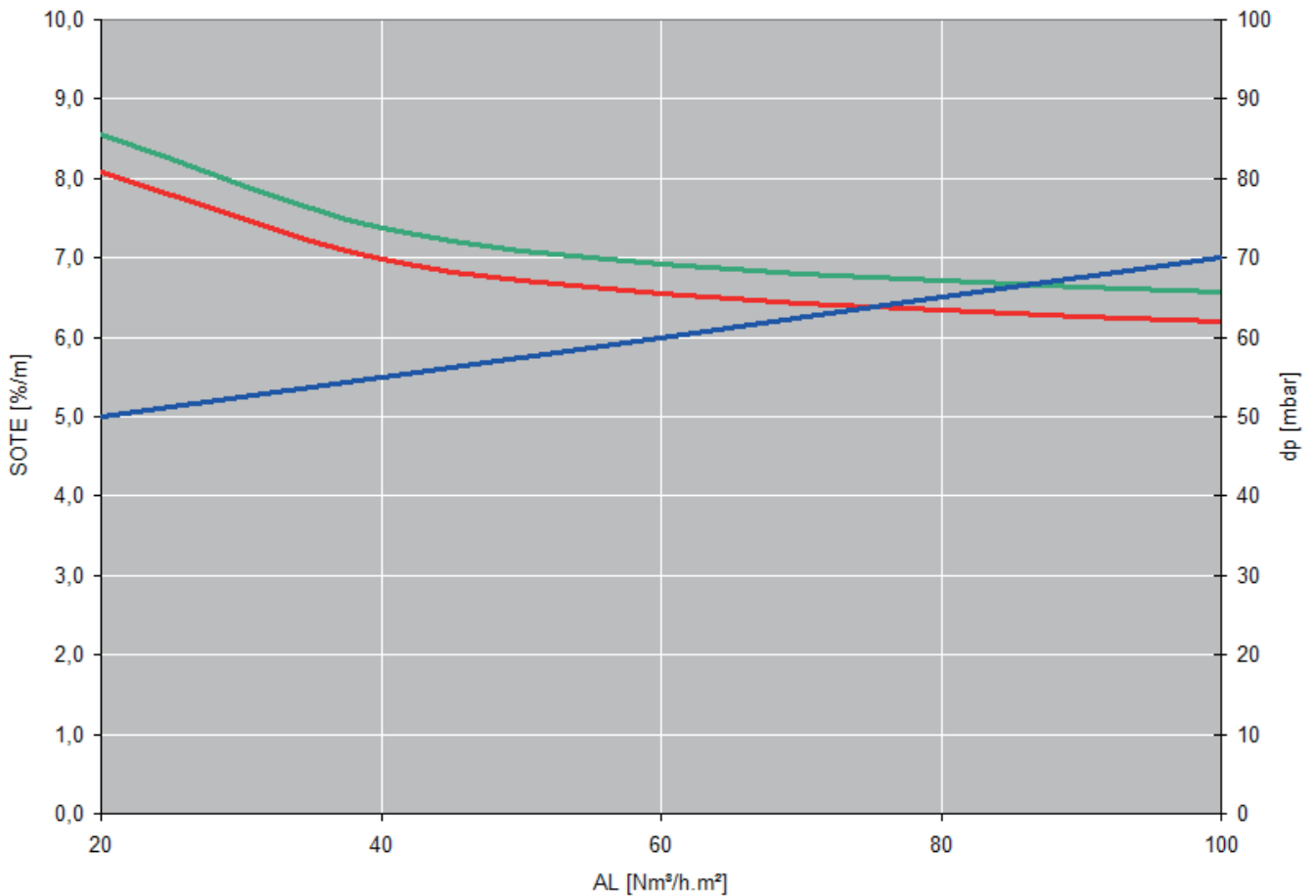


Material

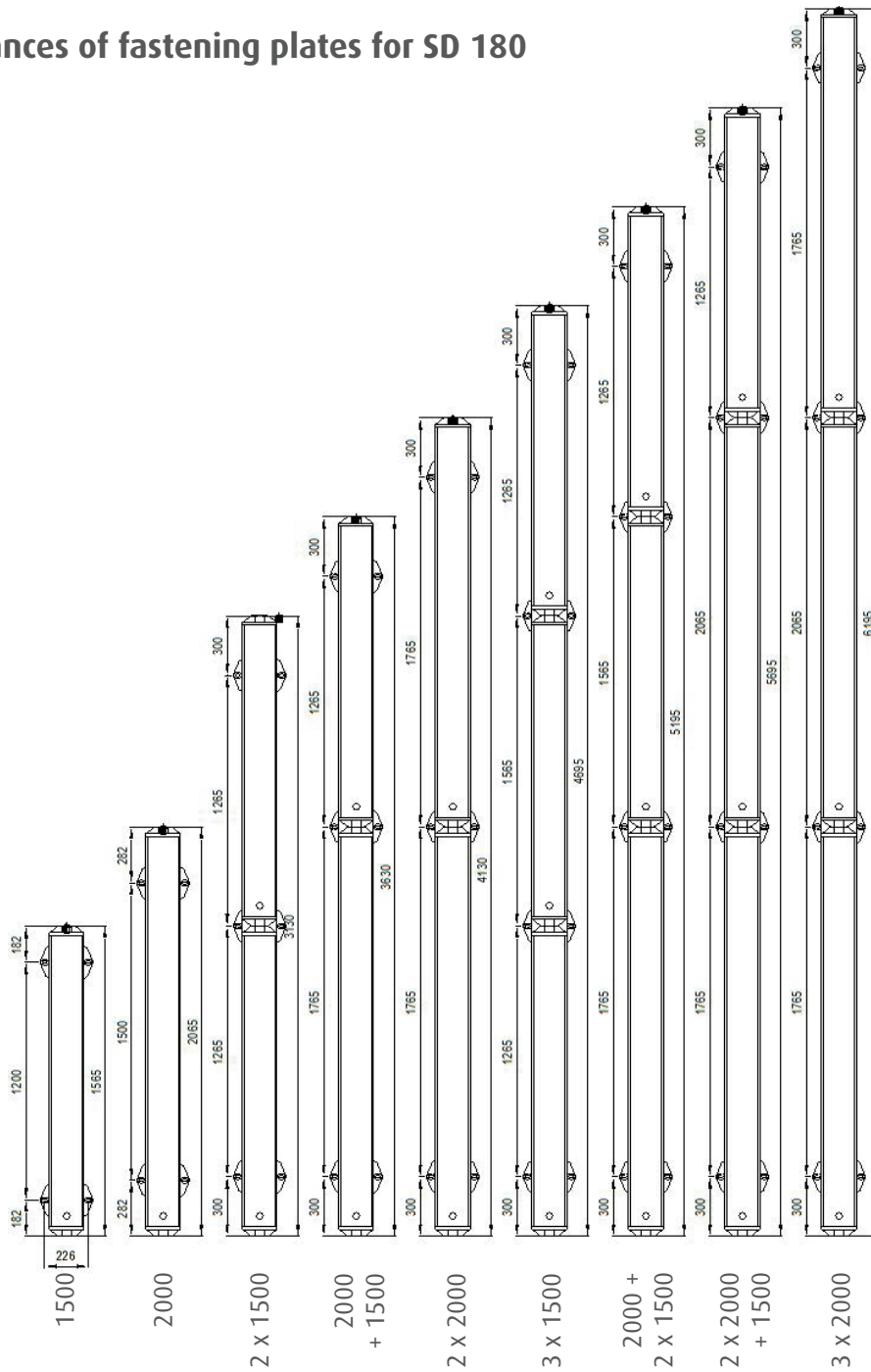
membrane	Polyurethane
base profil	PVC
air feed and check valve	PP 30%GF
base plate	PP 30%GF
bolt, nuts, washers	A2 / AISI 304
air feed sealing	EPDM

Standard oxygen transfer efficiency at

- Sauerstoffausnutzung bei 10% Belegungsgrad / Oxygene yield @10% CF
- Sauerstoffausnutzung bei 20% Belegungsgrad / Oxygene yield @20% CF
- Druckverlust / Headloss



Number and distances of fastening plates for SD 180



Jäger Umwelt-Technik GmbH
 Ruscheplattenstraße 14
 31137 Hildesheim
 Germany
 ☎ +49 5121 9138 900
 📠 +49 5121 9138 999
www.jaeger-envirotech.com
info@jaeger-envirotech.com



Disclaimer

We exclude any liability for the information and product presentations provided. Contents of technical character are based on the date of publication. Existing copyrights and rights to the use of names remain unaffected.



JetFlex® Strip Diffuser SD180 Polurethane
 2015-00326