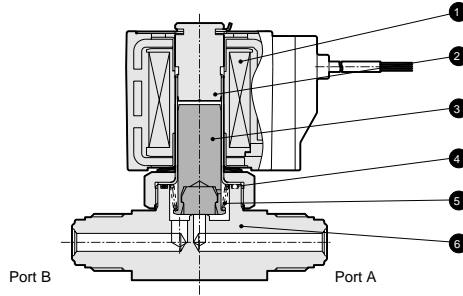


Internal structure and main parts materials

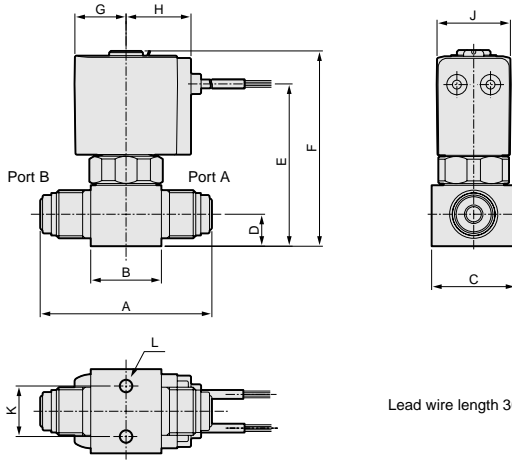


No.	Parts name	Material	No.	Parts name	Material
1	Coil assembly	(Molded coil)	4	O ring	FKM Fluoro rubber
2	Core assembly tightening torque	SUS405, SUS316L	5	Spring	SUS304 Stainless steel
3	Plunger assembly	SUS405, FKM	6	Body	SUS304 or SCS13 Stainless steel

Dimensions

● Grommet lead wire (voltage: DC type) and JXR male joint type

HVB*12-4RM]-*-[2C
6RM]



Lead wire length 300 mm

Model no.	A	B	C	D	E	F	G	H	J	K	L
HVB212-4RM	51	21	25	9.5	48	58	15.5	19.5	22	15	M4 x 0.7 depth 6
HVB312-4RM	64	30	25	9.5	53.5	64.5	18.5	22.5	28	18	M5 x 0.8 depth 8
HVB412-4RM	64	34	32	11.6	66	79.5	22.5	26	34	18	M5 x 0.8 depth 8
HVB412-6RM	75	34	32	11.6	66	79.5	22.5	26	34	18	M5 x 0.8 depth 8
HVB512-4RM	64	34	32	11.6	71.5	86.5	26	29.5	40	18	M5 x 0.8 depth 8
HVB512-6RM	75	34	32	11.6	71.5	86.5	26	29.5	40	18	M5 x 0.8 depth 8

Dimensions

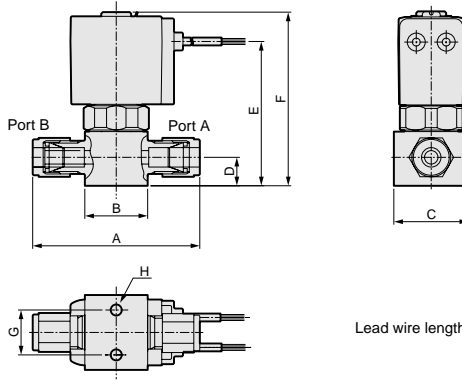
- Grommet lead wire (voltage: DC type) and double barbed joint type

HVB*12-

4S
6S

-*-

2C



Lead wire length 300 mm

Model no.	A	B	C	D	E	F	G	H
HVB212-4S	56	21	25	9.5	48	58	15	M4 x 0.7 depth 6
HVB312-4S	69	30	25	9.5	53.5	64.5	18	M5 x 0.8 depth 8
HVB412-4S	69	34	32	11.6	66	79.5	18	M5 x 0.8 depth 8
HVB412-6S	80	34	32	11.6	66	79.5	18	M5 x 0.8 depth 8
HVB512-4S	69	34	32	11.6	71.5	86.5	18	M5 x 0.8 depth 8
HVB512-6S	80	34	32	11.6	71.5	86.5	18	M5 x 0.8 depth 8

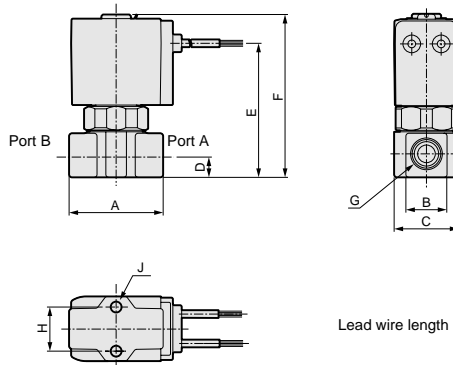
- Grommet lead wire (voltage: DC type) and NPT type

HVB*12-

6N
8N
10N

-*-

2C



Lead wire length 300 mm

Model no.	A	B	C	D	E	F	G	H	J	
HVB212-6N	32	14	22	8	45.5	56	NPT 1/8	15	M4 x 0.7 depth 6	
HVB312- <table border="1" style="display: inline-table; vertical-align: middle;"><tr><td>6N</td></tr></table>	6N	36	18	28	11	57.5	68.5	NPT 1/8, NPT 1/4	18	M5 x 0.8 depth 6
6N										
HVB412- <table border="1" style="display: inline-table; vertical-align: middle;"><tr><td>8N</td></tr></table>	8N	40	21	34	12	67	81	NPT 1/4, NPT 3/8	18	M5 x 0.8 depth 8
8N										
HVB512- <table border="1" style="display: inline-table; vertical-align: middle;"><tr><td>8N</td></tr></table>	8N	40	21	34	12	73.5	89	NPT 1/4, NPT 3/8	18	M5 x 0.8 depth 8
8N										

HNB/G

USB/G

FAB/G

FGB/G

FVB

FWB/G

FHB

FLB

AB

AG

AP/AD

APK/ADK

For dry air

Explosion proof

HVB/HVL

SAB/SVB

NP/NAP/NVP

CHB/G

MXB/G

Other G.P. systems

PD/FAD/PJ

CVE/CVSE

CPE/CPD

Medical analysis

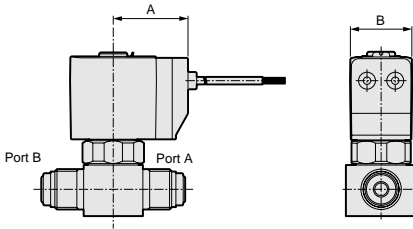
Custom order

Solenoid valve for high vacuum

Optional dimensions

- Grommet lead wire (voltage: AC type) and all wave rectifier
HVB*12-*-*-[2CR]

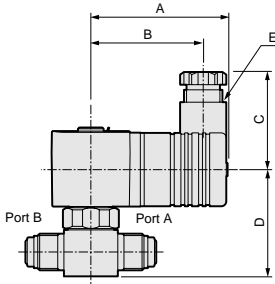
Refer to grommet lead wire (DC type) dimensions on the previous page for the common dimensions.



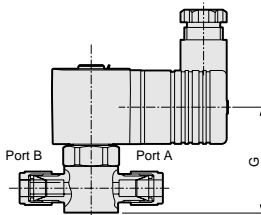
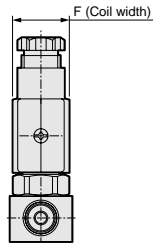
Model no.	A	B
HVB212	26.5	22
HVB312	29.5	28
HVB412	34	34
HVB512	37.5	40

- DIN terminal box (with light and surge suppressor)

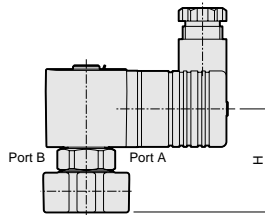
HVB*12-*-*-[
2G
2HS]



JXR male joint: 4RM and 6RM



Double barbed joint: 4S and 6S

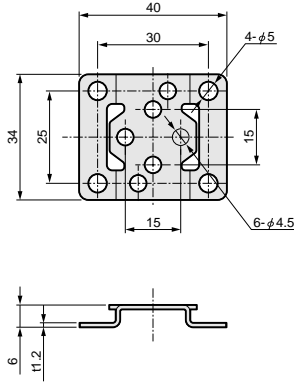


NPT joint: 6N, 8N and 10N

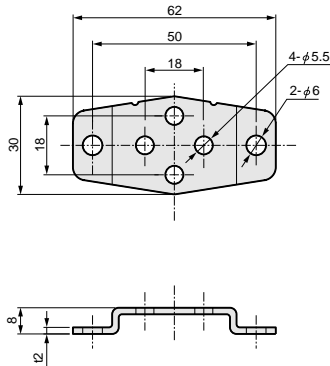
Model no.	A	B	C	D	E	F	G	H
HVB212	53	44	38	41.5	Pg9	22	41.5	39
HVB312	58.5	47	42	47.5	Pg11	28	47.5	51
HVB412	62	50.5	42	59.5	Pg11	34	59.5	61
HVB512	65.5	54	42	67	Pg11	40	67	69.5

Optional dimensions

- Mounting plate
HVB212-***-** [B]



- Mounting plate
HVB $\frac{3}{5}$ 12-***-** [B]



HNB/G
USB/G
FAB/G
FGB/G
FVB
FWB/G
FHB
FLB
AB
AG
AP/AD
APK/ADK
For dry air
Explosion proof
HVB/HVL
SAB/SVB
NP/NAP/NVP
CHB/G
MXB/G
Other G.P. systems
PD/FAD/PJ
CVE/CVSE
CPE/CPD
Medical analysis
Custom order

Solenoid valve for high vacuum