



Compact mechanical pressure switch

# APS-W Series

• General purpose discrete specifications (APS)

JIS symbol



## Specifications

| Descriptions                            | APS-W  |
|---|--|
| Working fluid                           | Compressed air   |
| Max. working pressure MPa               | 1.0  |
| Set pressure range MPa                  | 0.1 to 0.6   |
| Hysteresis MPa                          | 0.08 or less   |
| Repeatability MPa                       | ±0.02 or less  |
| Contact configuration                   | 1a Note 1  |
| Wiring                                  | Lead wire (oil resistant vinyl cabtire code 2-conductor 0.2mm <sup>2</sup> ) |
| Ambient temperature / fluid temperature | 5 to 60°C  |
| Protective structure Note 2             | IP65 or equivalent   |

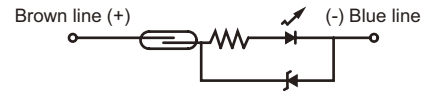
Note 1: The contact turns on if air pressure exceeding the scale setting pressure is applied.

Note 2: Note that an installation attitude must be vertical. When water entrains into the atmospheric release port from bottom, connect an option joint, and extend the tube until water does not entrain. This port can not be used outdoors.

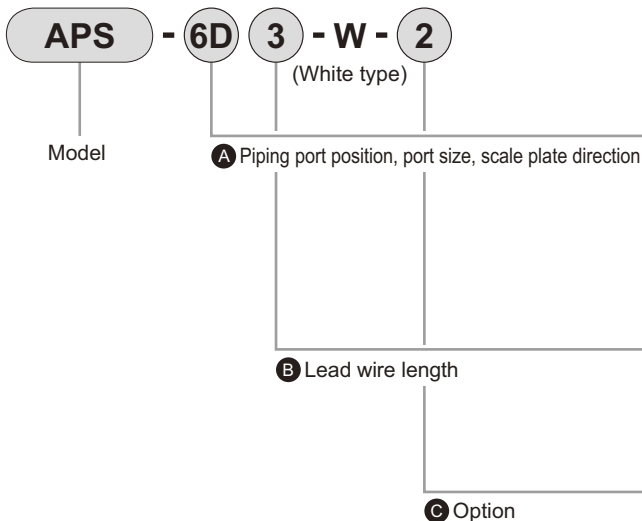
### Electric component section specifications

|                          |  |           |
|--------------------------|--|-----------|
| Load voltage             | 12/24 VDC  | 100 VAC   |
| Load current             | 5 to 50mA  | 7 to 20mA |
| Internal voltage drop    | 3V or less   |           |
| Light                    | LED (ON lighting)                                  |           |
| Maximum shock resistance | 294m/S <sup>2</sup>                                |           |
| Insulation resistance    | 20MΩ and over at 500 VDC megger                    |           |
| Withstand voltage        | No failure when 1000 VAC is applied for one minute |           |

### Internal circuit diagram



## How to order

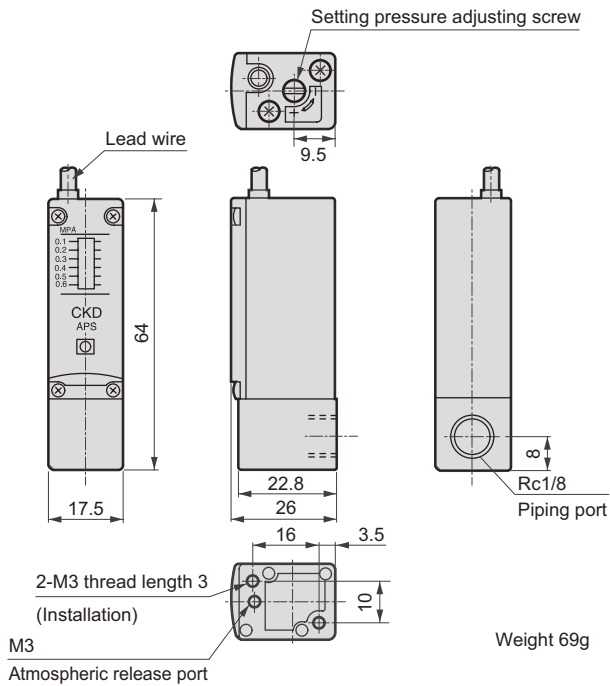


| Symbol  | Descriptions   |
|---|--|
| <b>A Piping port position, port size, scale plate direction</b> |  |
| <b>6B</b>   | Rear side Rc1/8, height <span style="float: right;">Note 1</span>        |
| <b>6D</b>   | Bottom Rc1/8, height   |
| <b>6F</b>   | Rear side flange, height   |
| <b>6L</b>   | Both sides plane Rc1/8, height <span style="float: right;">Note 1</span> |
| <b>6Y</b>   | Rear side flange, width  |
| <b>B Lead wire length</b>                                       |  |
| <b>Blank</b>  | 1m   |
| <b>3</b>  | 3m   |
| <b>5</b>  | 5m   |
| <b>C Option</b>   |  |
| <b>Blank</b>  | None   |
| <b>1</b>  | Only DIN rail bracket attached (6D)                                      |
| <b>2</b>  | Only nipple attached (6D)  |
| <b>4</b>  | Atmospheric release port joint (elbow for M3) attached                   |

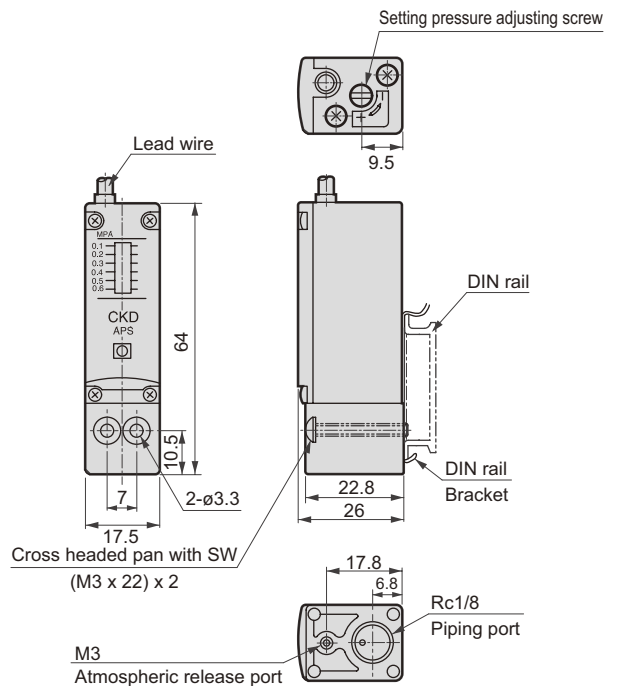
Note 1: When installing on the bottom, be careful not to block the release atmospheric release port.

## Dimensions

### ● APS-6B-W

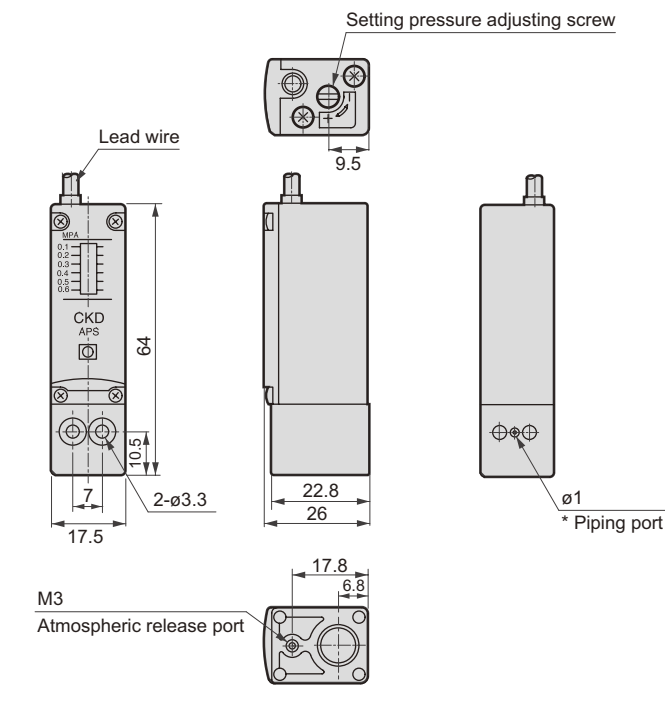


### ● APS-6D-W

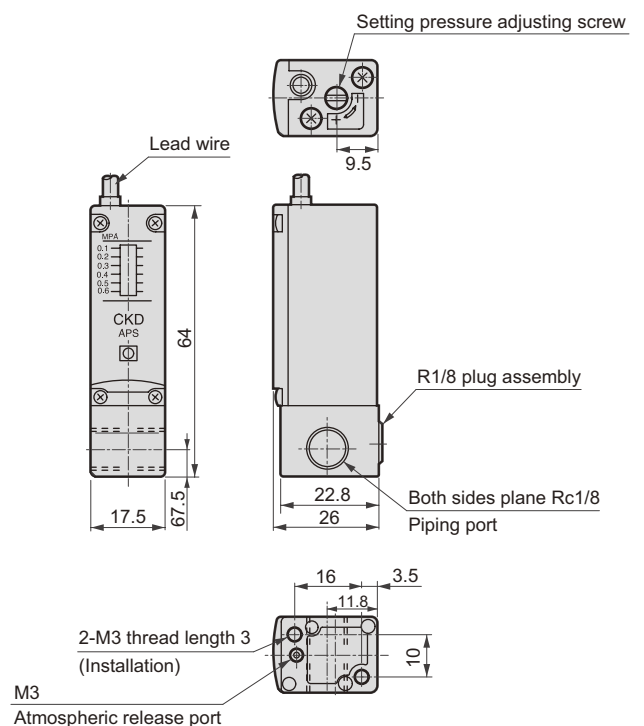


Note: When installing on the bottom, be careful not to block the atmospheric release port.

### ● APS-6F-W



### ● APS-6L-W



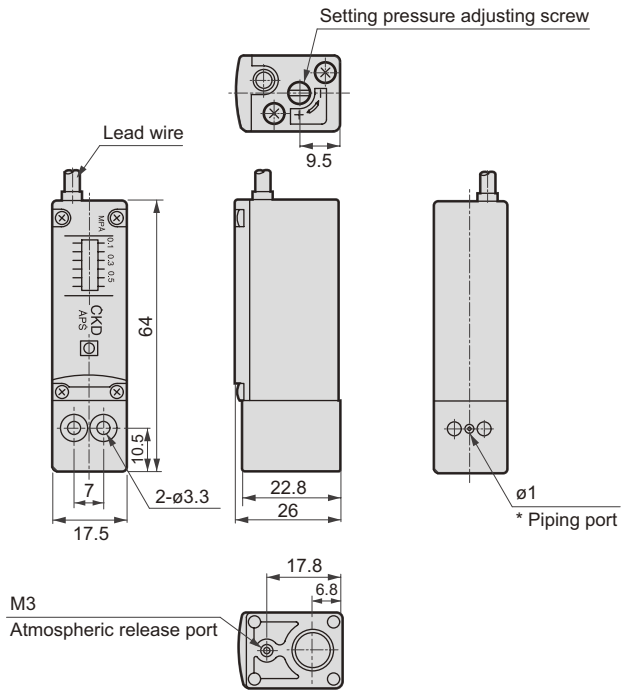
\* CAUTION: The I.D. of the sealing O ring is 1.2.  
Drill a 1 or less pressure outlet hole on the mounting face.

Note: When installing on the bottom, be careful not to block the atmospheric release port.

# APS-W Series

## Dimensions

### ● APS-6Y-W



\* CAUTION: The inner diameter of the sealing O ring is 1.2.  
Drill a 1 or less pressure outlet hole on the mounting face.