

Productivity • ergonomic • compact • agile • V4A / 316L

PUSHER
CHARGING TROLLEY
DIN 9797 CONTAINER

PUSHER

For the transport of DIN 9797 container/charging trolleys.



low
maintenance



shockproof



safe use



low noise



wireless



IP65



“Your smart partner in handling

food containers (DIN 9797)”



PUSHER

Technical data

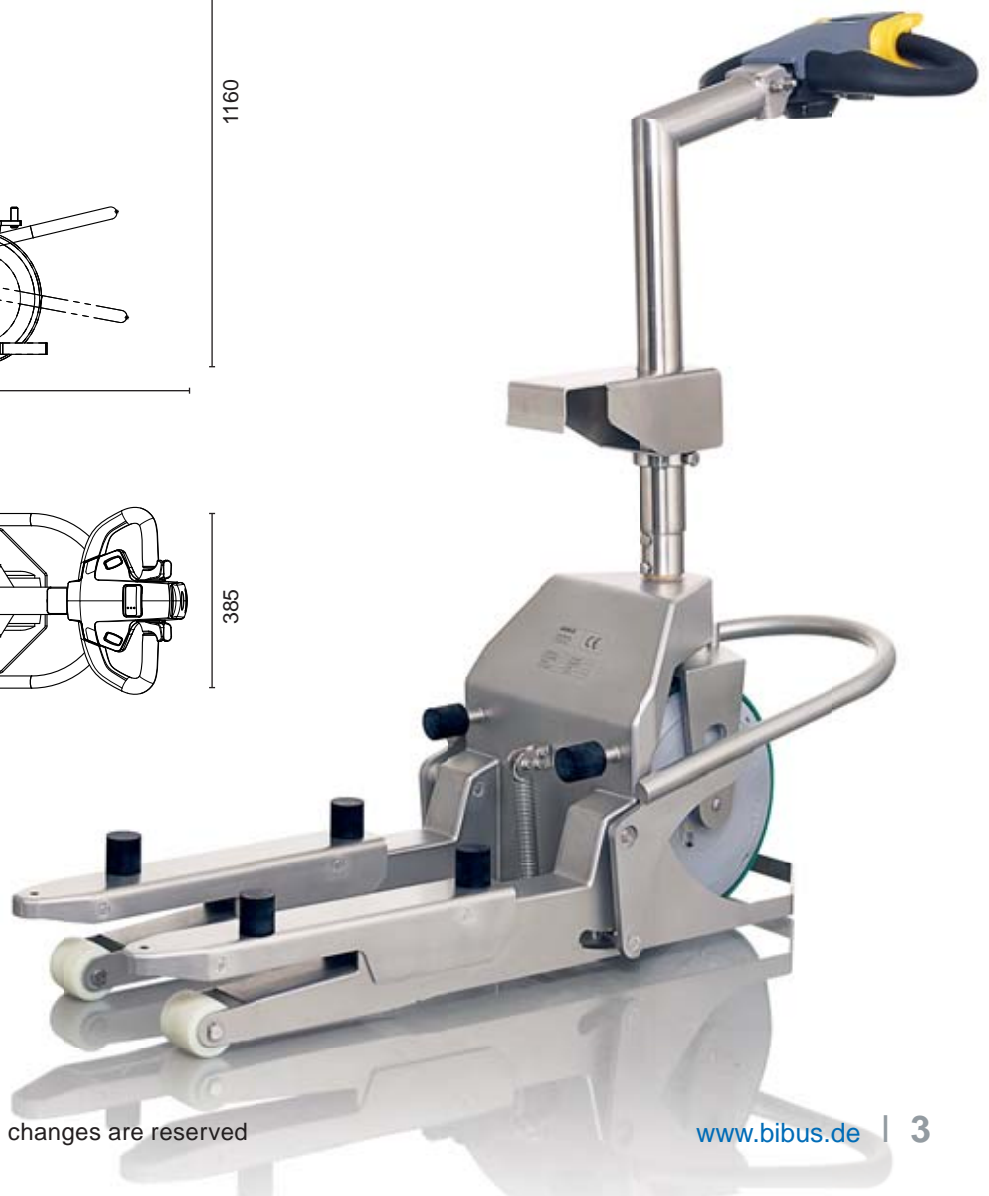
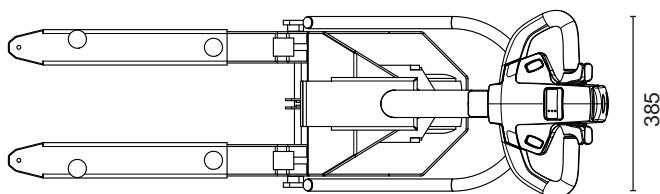
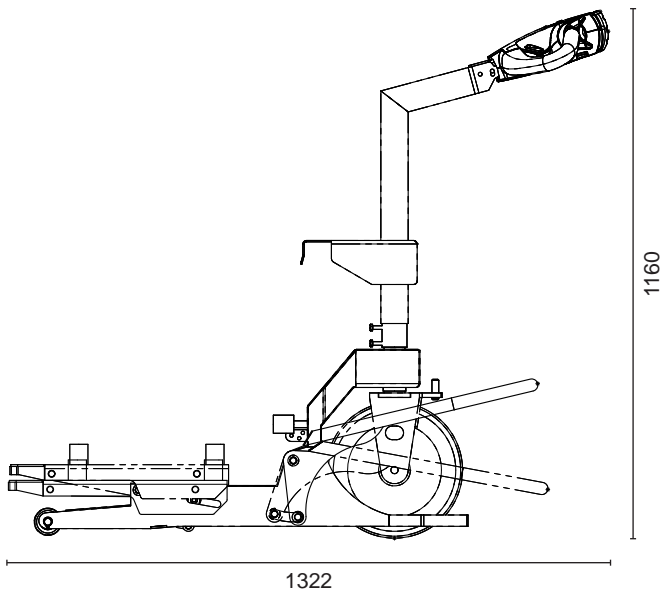
article number	PUSHER-001
max. capacity	400 kg
speed	3-5 km/h (individual adjustable)
protection class	IP65
sound level	73 dB
material	stainless steel V4A / 316 L
tiller head	wireless, with horn and belly button

IP65
WATER RESIST.

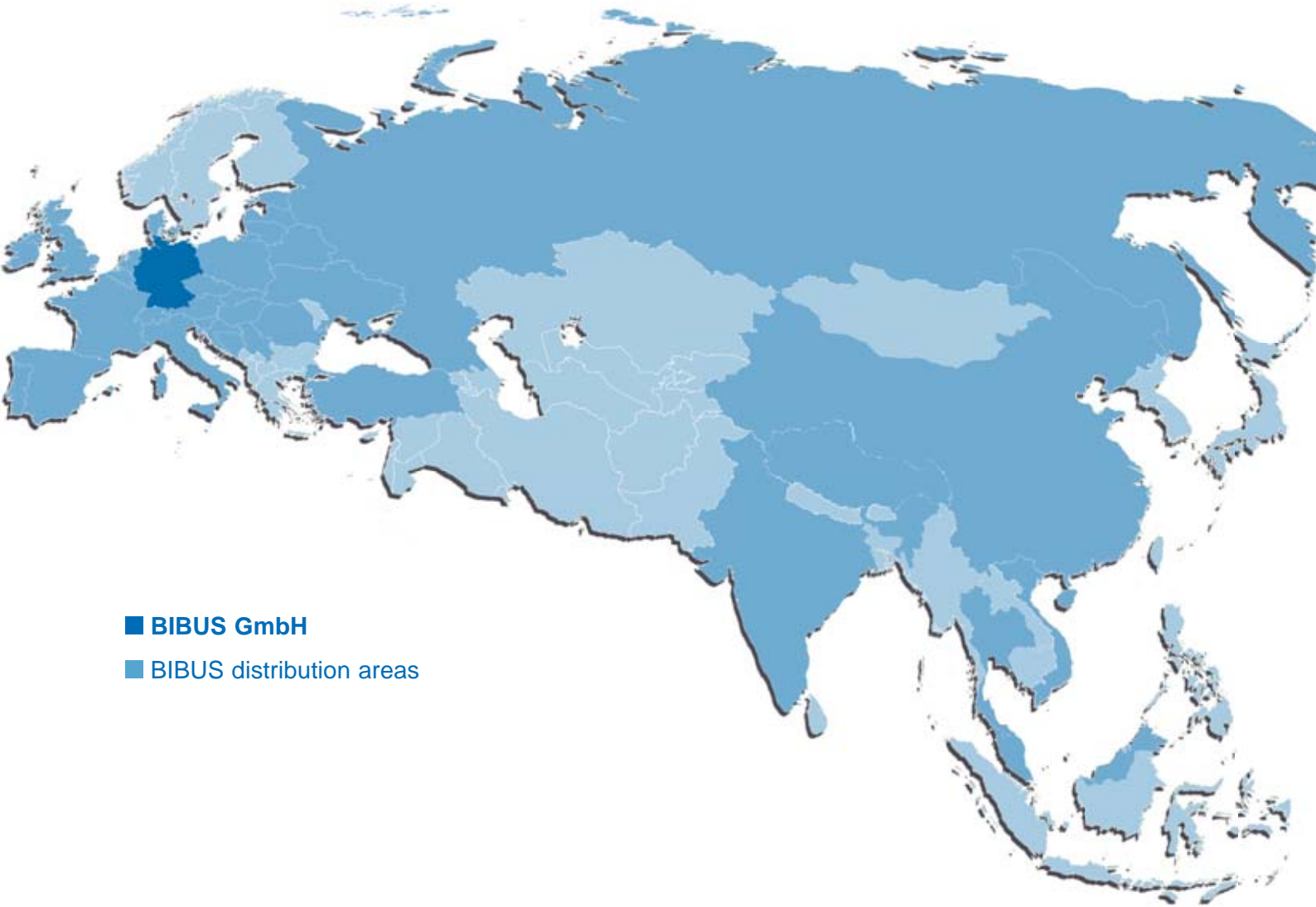


WIRELESS

**STAINLESS
STEEL**
316 L



DEVELOPMENT
LOGISTIC
SERVICE



- **BIBUS GmbH**
- BIBUS distribution areas

BIBUS GmbH
Max-Eyth-Straße 41/1
DE-89231 Neu-Ulm

Phone: +49 731 20769-0
Fax: +49 731 20769-620

E-Mail: info@bibus.de
www.bibus.de