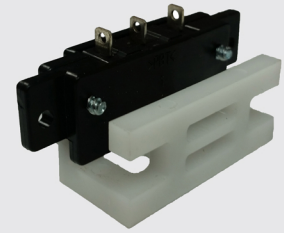


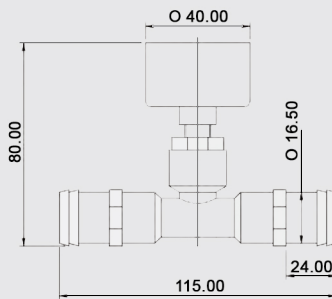
Spare Kits

For all Secoh Air Pumps

- Service Kits
- Diaphragm Packs
- Filters
- Autostoppers
- Magnets
- Drive Units



Accessories

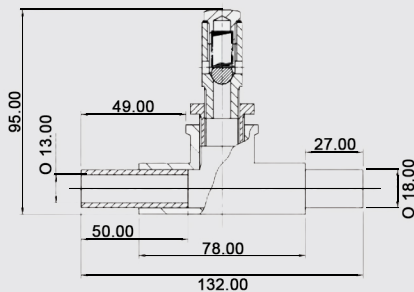


Back Pressure Gauge (BP1)*

Pressure Gauge Range	0 - 0.6 bar
Dimensions (L x W x H)	115 x 40 x 80 mm
Connection	19Ø mm
Net weight	0.25 kg

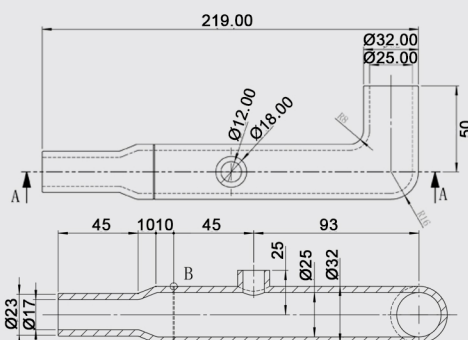


*1" Version also available



Pressure Relief Valve - JDK-50 / 120 (SE11)

Pressure Relief Setting	0.20 bar
Dimensions (L x W x H)	132 x 30 x 95 mm
Connection	19Ø mm
Net weight	0.5 kg



Pressure Relief Valve - JDK-150 / 400 (SE45-L)

Pressure Relief Setting	0.25 bar
Dimensions (L x W x H)	220 x 65 x 90 mm
Connection	19Ø/26Ø mm
Net weight	0.1 kg



*19Ø can be cut to 26Ø