

● Contents of diaphragm repair kit (Please confirm the contents of the repair kit)

① Diaphragm



(2)

② Diaphragm holder



(2)

③ Valve box



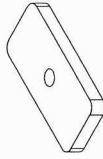
JDK-60/80

(2)



JDK-100/120

④ Filter



(1)

⑤ Filter cover packing



(2)

⑥ Nut+



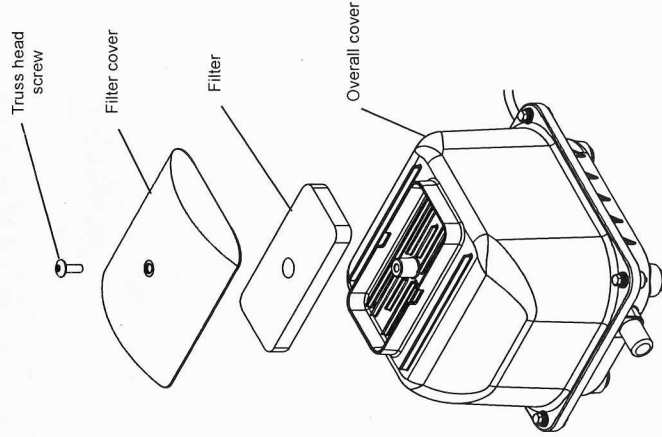
(2)



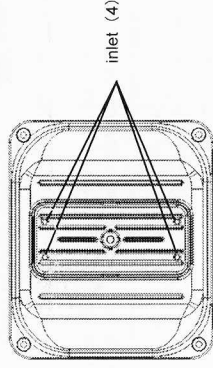
○ Always disconnect power before servicing. Failure to do so could result in electrical shock, personal injury or death.

◆ Replacement of filter and filter cover packing

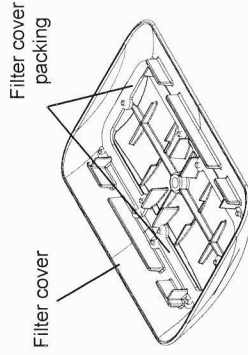
1) Undo the truss head screw and remove the filter cover.



2) Take out the filter, and slap down dust by hand. Then, replace with the new filter.

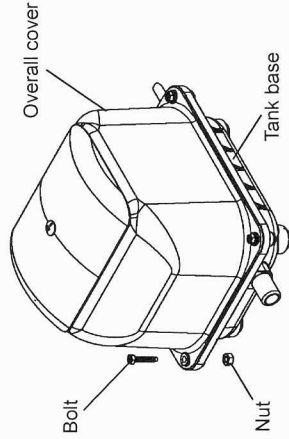


3) Replace the filter cover packing and press in the filter cover. Secure filter cover with truss head screw.



◆ Replacement of diaphragm and valve box

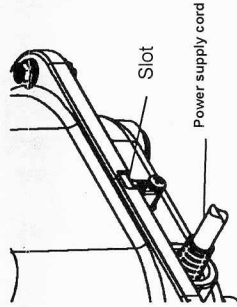
- 1) Undo the four corner bolts and remove the overall cover.



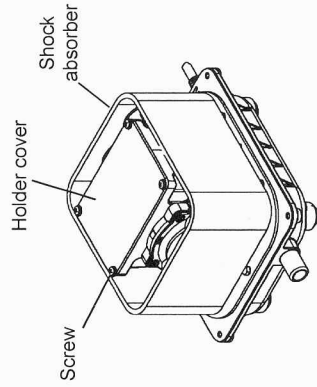
NOTE

Nuts are the inside of the tank base.
Do not lose the nuts when take the screws.

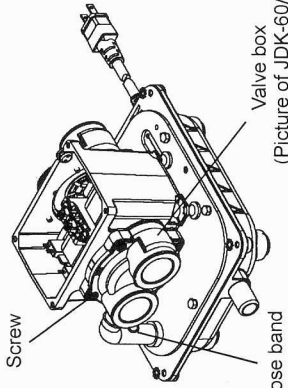
- Use a screwdriver to pry the overall cover open when necessary.



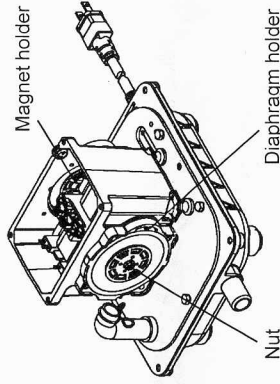
- 2) Remove the shock absorber. Undo the screws and remove the holder cover.



- 3) Undo the screws and loosen up the hose band. Remove the valve box.



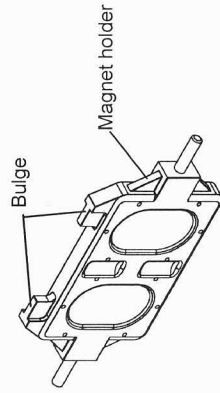
- 4) Undo the nuts, replace the diaphragm holder from the magnet holder.



CAUTION

- Magnetic force is very strong, please be careful during operation.
- Inappropriate operation may cause personal injury.

※ Keep the bulge upward when replace the magnet holder.



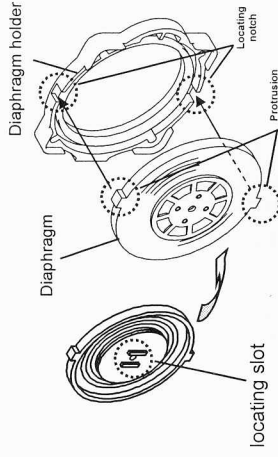
- 5) Insert the protrusion of the new diaphragm in the locating notch of the diaphragm holder.

NOTE

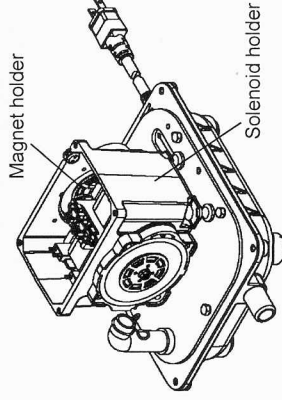
- Press the diaphragm edges in the diaphragm holder firmly.

CAUTION! If the diaphragm is not properly in the diaphragm holder, it will cause shortened diaphragm life.

Press the diaphragm edges in the diaphragm holder firmly.



- 6) Replace the magnet holder and the diaphragm, installing into the solenoid holder.

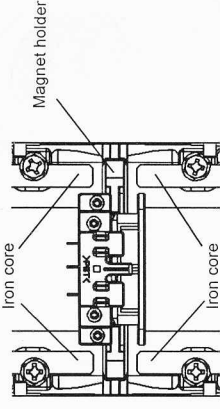


NOTE

- Please replace the diaphragm and valve box for both side.

CAUTION! Not replace the old parts may cause the damage of the pump.

- 7) Replace the valve box. Make sure the magnet holder is in the middle of the iron core. If not, please reset the magnet holder.



NOTE

- Please confirm magnet holder always in the middle.
- CAUTION!** If diaphragm is not properly placed in the diaphragm holder, the magnet position may be misaligned causing shortened diaphragm life, performance degradation.

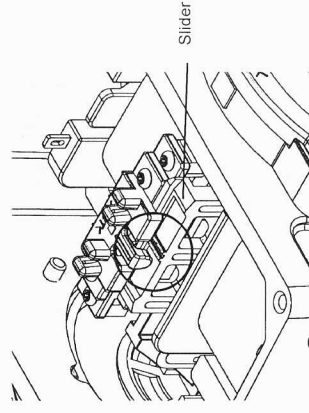
- 8) Set the slider in the middle.

Rest of auto stopper

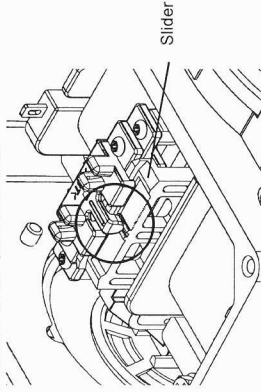
WARNING

- Cut the power before you service the pump.
- Do not touch the terminal of the switch. If hazard is ignored, it may cause electric shock.
- If not disconnected the magnet starts moving upon reset of auto stopper, it may cause personal injury.

If the slider deviates from the middle, please set it back as the picture below.

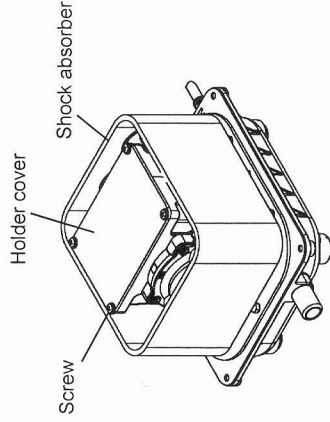


Can hear the sound when adjust the slider to the middle as the picture below.

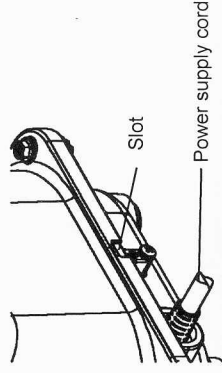


9) Connect power, confirm whether the magnet holder is moving in the middle and whether air blowing out properly, then remove the plug and start next operation.

10) Fasten the holder cover with the screw, put the shock absorber back.

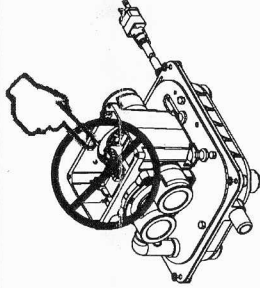


11) Keep the slot and power supply cord in the same side, use nuts and screw to fix carefully.





WARNING

- Do not touch the live parts.
- Touching the live parts will result in electric shock.



After the assembly, connect power and check if there is air out or any noise, then install back to the original position.

INSTRUCTIONS

- Please pay special attention to the marks below in this manual.
-  **WARNING** High potential risks resulting from improper handling, as it can cause death or serious injuries.
-  **CAUTION** High potential risks resulting from improper handling, as in some cases it can cause serious injuries.
- **NOTE** Make additional remarks to the point in this manual. Please read it carefully.
- Keep this manual available for review in case of need.

SECOH SHANGHAI MEC LTD.

201306-01