



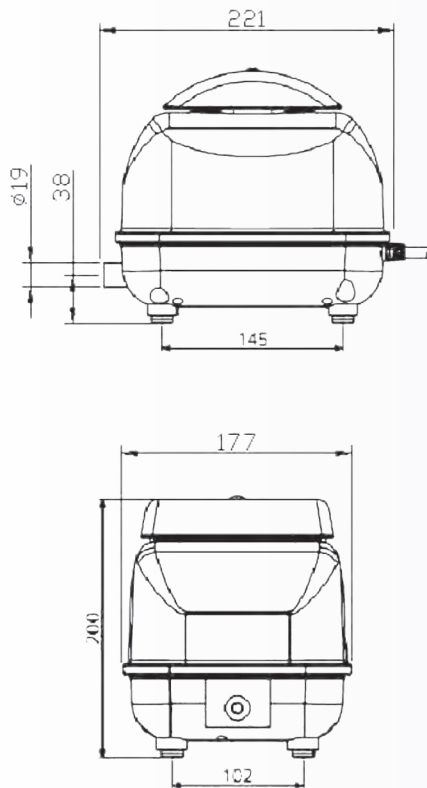
# JDK Series

## JDK - 40 / JDK - 50

### Product Characteristics

- Compact Design
- Low Energy Consumption
- High Quality Plastic Housing
- Connecting Hose Included

### Dimensions



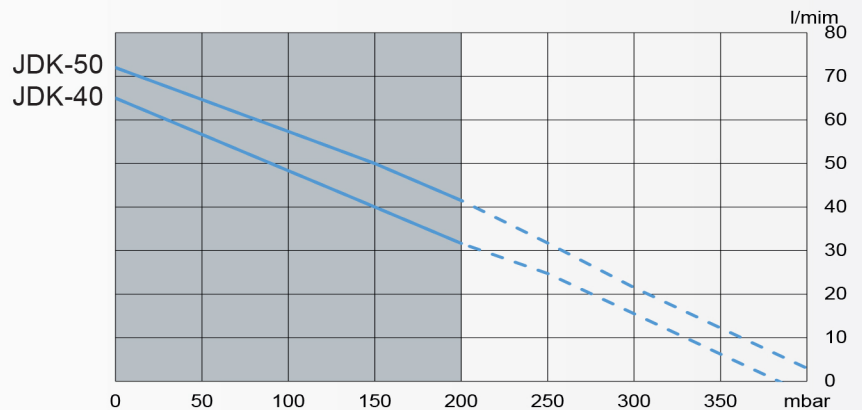
### Technical Data

Model			JDK-40	JDK-50
Air Flow l/min	l/min	0 mbar	65	72
		50 mbar	59	65
		100 mbar	50	59
		150 mbar	43	50
		200 mbar	34	40
Voltage	V		230	
Power Consumption	W	200 mbar	35	42
Noise Level	dB(A)		33	36
Dimensions	mm	L x W x H	221 X 177 X 200	
Connection	mm	ø outside	19	
Net Weight	Kg		4.5	

1) Product performance may vary +/- 10% from performance curves. 2) Values at 50 Hz.

### Performance Data

230V / 50 Hz, optimal operating span



### Spare Parts / Accessories

Spares	BIBUS Code
Service Kit	SE29
Diaphragm Sets	SE21
Filters	SE30
Magnets	SE4
<b>Accessories</b>	
Pressure Gauge	BP1
Pressure Relief Valve	SE11