

Please fill out the following form to give us a first impression of what kind of product you are looking for and how we can support you. We will try to process your request as soon as possible. For questions and comments, please feel free to use the form at the bottom or contact us via phone or e-mail.

**CUSTOMER INFORMATION**

**Company**

**Address**

**Contact person**

E-Mail

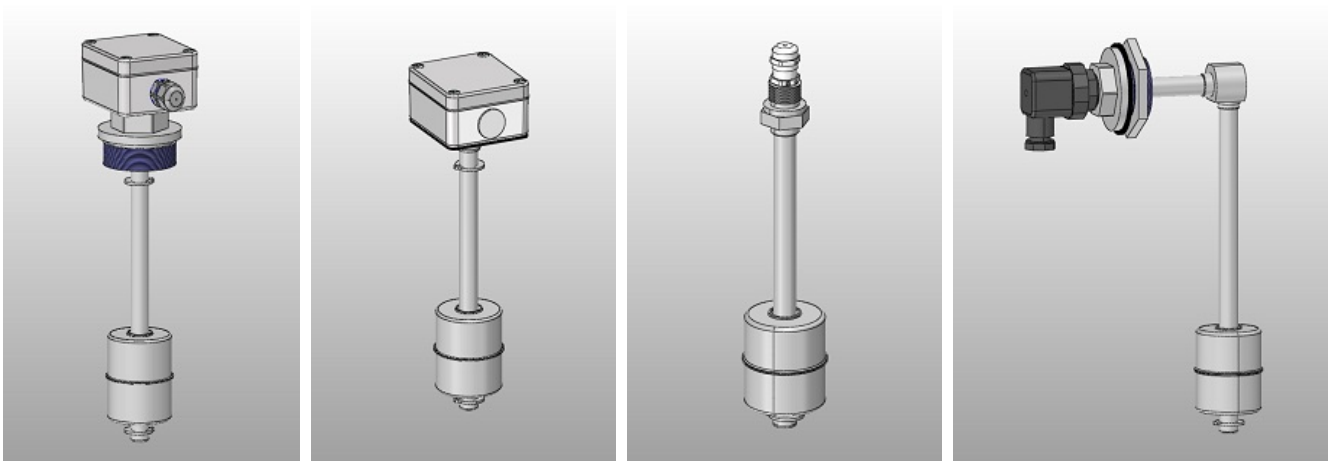
Phone

Website of company

**GENERAL TECHNICAL INFORMATION – obligatory –**

Requested <b>quantity</b>	piece(s)		
<b>Medium contact parts</b>	Stainless Steel	Brass	
	PVDF	PVC	ECTFE
	Other		
<b>Medium</b>			
<b>Material of tank</b>			
<b>Density of the medium</b>		g/cm <sup>3</sup>	g/cm <sup>3</sup> (opt. 2nd)
<b>Temperature of the medium</b>	-	°C (min - max)	
<b>Pressure inside tank</b>	bar		
<b>Mounting from...</b>	Top	Bottom	Side
	Inside	Outside	

See mounting examples below:



a) Top/Outside

b) Bottom/Outside

c) Top/Inside


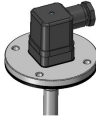
d) Side/Outside

<b>Switching capacity</b>	Max. 24 VDC/150 mA	230 VAC/60 VA
<b>Power supply</b>	230 VAC	24 VDC

**DETAILED TECHNICAL INFORMATION – obligatory –**

**Process Connection/Fixture**

	1/4"	3/8	1/2"	3/4"	1"
	1 1/4"	1 1/2"	2"	M20 x 1,5	

<b>Flange</b>		Oval		Round
		mm (hole circle)		mm (hole circle)

**Electrical Connection**

<b>Plug-type Connector</b>	M12 (4 -8 Pin) ≤ 24V	3-Pin + PE DIN EN 175301-803
	Terminal Box	7-Pin + PE DIN EN 175301-804

Other

<b>Connection Cable</b> - optional -	mm (length)
--------------------------------------	-------------

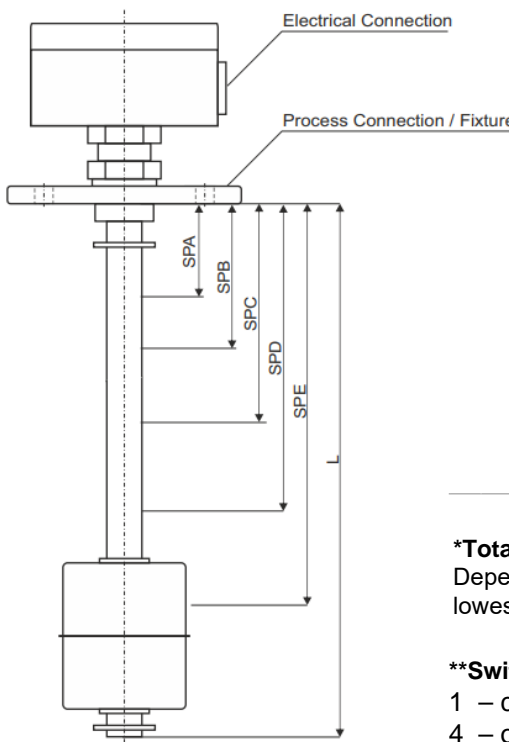
**Level Measuring –analogue**

<b>Resolution</b>	0,1 mm	2,5 mm
	5,0 mm	10,0 mm
<b>Signal</b>	0-10 V	4-20 mA

**Level Detection**

<b>Total Tube Length*</b>	mm
---------------------------	----

**Switching Point(s)**



<b>Switching function**</b>	
SPA	mm
SPB	mm
SPC	mm
SPD	mm
SPE	mm

**\*Total Tube Length**  
Depending on the used device, the length of the tube is specified according to the lowest switching point. Nevertheless the tube can be longer.

**\*\*Switching functions**  
1 – closes on level rise    2 – opens on level rise    3 – closes on level drop  
4 – opens on level drop    5 – change-over contact

**FURTHER INFORMATION – optional –**

<b>Temperature Switch</b>	Normally closed NC	Normally open NO	
	Temp.1            °C	Temp. 2            °C	
	Tolerance +/- 5 K	Tolerance +/- 3 K	Other tolerance +/-
<b>Temperature Sensor</b>			
PT100	2-wire	3-wire	4-wire
PT1000	2-wire	3-wire	4-wire
<b>With analogue output</b>	4-20mA	0-10V	

**YOUR QUESTIONS & COMMENTS**

**Please note:**

If you're already using level measuring technology (from us/from another supplier), it is really helpful to have a reference drawing of your used device in order understand your requirements better and process your request faster. You can attach the drawing/picture or similar to your request if you like.