

Please fill out the following form to give us a first impression of what kind of product you are looking for and how we can support you. We will try to process your request as soon as possible. For questions and comments, please feel free to use the form at the bottom or contact us via phone or e-mail.

## CUSTOMER INFORMATION

Company

Address

Contact person

E-Mail

Phone

Website of company

## GENERAL TECHNICAL INFORMATION – obligatory –

Requested quantity				piece(s)
Density of the medium				g/cm <sup>3</sup>
Temperature of the medium	-			°C (from... to...)
Pressure inside tank				bar
Installation position tank	Top	Bottom	Side	
	Inside	Outside		
Switching capacity	Max. 24 VDC	230 VAC		
Power supply	230 VAC	24 VDC		

## DETAILED TECHNICAL INFORMATION – obligatory –

### Application Environment

	Gas Ex			Dust Ex		
	0	1	2	20	21	22
Intrinsic Safety Ex ia (zone)						
Explosion Group IIC/ Dust IIIC						
Temperature Class						
EPL Ga/Gb/Da						

### Process Connection/Fixture

	1/4"	3/8	1/2"	1"	1 1/2"	2"
Flange	Round				mm (hole circle)	
Other						

**Electrical Connection**

<b>Plug-type Connector</b>	M12 (4-8 Pin)	3-Pin DIN EN 175301-803
	Alu Housing Painted	Alu Housing Unpainted
	Stainless Steel Housing	

<b>Sheated Cable</b>	mm (length)
----------------------	-------------

**Level Measuring**

<b>Resolution</b>	2,5 mm	5,0 mm	10,0 mm
-------------------	--------	--------	---------

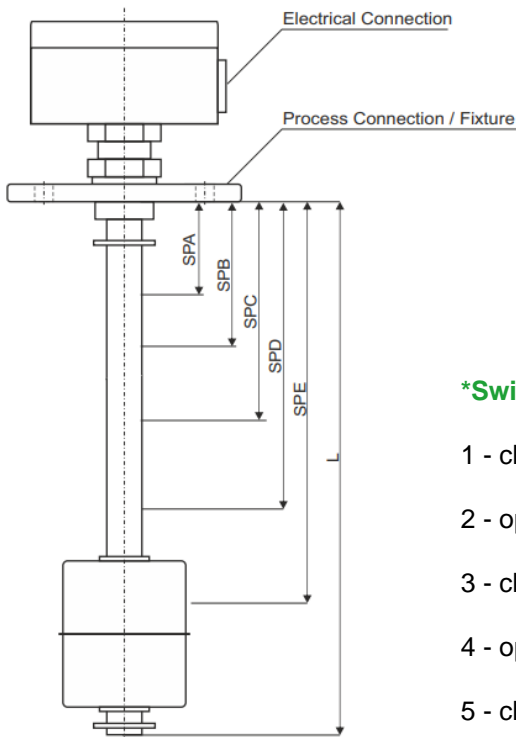
**Level Detection**

<b>Switch</b>	UniEx. Float Switch	UniEx. Mini Float Switch
---------------	---------------------	--------------------------

<b>Total Tube Length</b>	mm
--------------------------	----

**Switching Point(s)**

**Switching function\* Height**



SPA	mm
SPB	mm
SPC	mm
SPD	mm
SPE	mm

**\*Switching functions**

- 1 - closes on level rise
- 2 - opens on level rise
- 3 - closes on level drop
- 4 - opens on level drop
- 5 - change-over contact

**FURTHER INFORMATION – optional –**

<b>Temperature Switch</b>	Normally closed NC	Normally open NO
	Temperature	°C

**Temperature Sensor**

PT100	2-wire	3-wire	4-wire
PT1000	2-wire	3-wire	4-wire

<b>With Analogue Output</b>	4-20mA	0-10V
-----------------------------	--------	-------

## YOUR QUESTIONS & COMMENTS